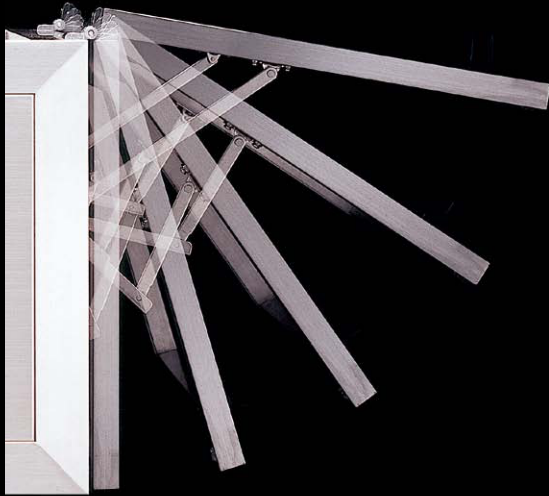


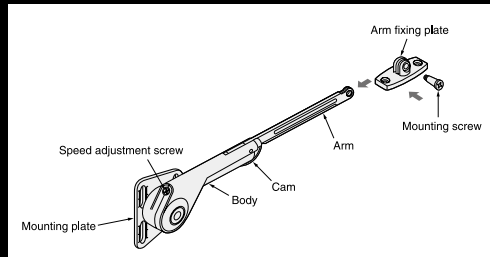
ADJUSTABLE SOFT-DOWN STAY GS-NSD



- Keeps flap/lid from slamming shut.
- Successfully passed for 30,000 open/close private cycle tests.
- Opening/closing speed is adjustable.
- Opening angle is adjustable by changing mounting position.
- Handed.

[Remarks]

Designed to operate at room temperature 0°~40°C.



APPLICATION		MOUNTING SIDE	GS-NSD-#
Downward-Opening Flap	90°	Right	GS-NSD-10R
		Left	GS-NSD-10L
Top-Opening Flap	70° ~ 105°	Right	GS-NSD-20R
		Left	GS-NSD-20L
Upward-Opening Flap	80° ~ 100°	Right	GS-NSD-35R
		Left	GS-NSD-35L

ADJUSTABLE SOFT-DOWN STAY GS-NSD-20

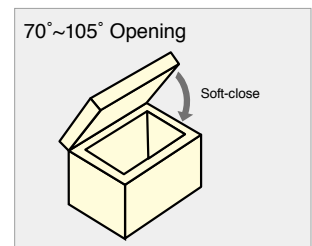
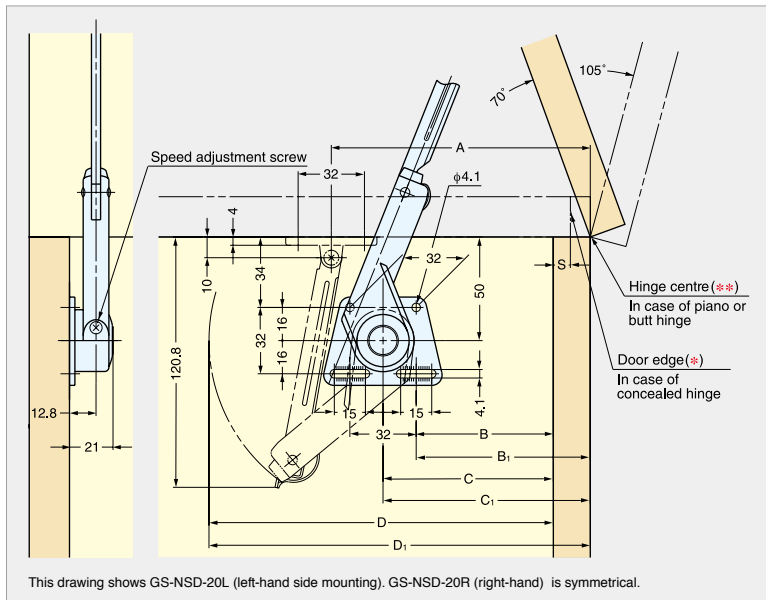
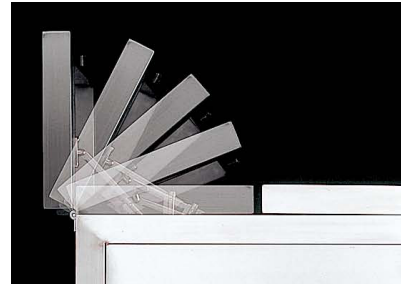


Passed 30,000 open/close private cycle test



- For Top-opening flap door with piano, butt or concealed hinges.
 - Opening angle adjustable from 70° to 105°
 - Designed to hold door in fully opened position.
- Torque Calculation :
 Torque = Door Height x 1/2 x Door Weight.
 Per Piece : 20~70 kg·cm.

Material	Finish
Zinc Alloy, Steel	Nickel



Opening Angle	Hinge Type	A	B	C	D	B ₁	C ₁	D ₁
70°	Concealed Hinge	126	85-S	101-S	185-S	-	-	-
	Piano / Butt Hinge	125	-	-	-	84	100	184
105°	Concealed Hinge	103	62-S	78-S	162-S	-	-	-
	Piano / Butt Hinge	97	-	-	-	56	72	156

Note: "S" dimension is the overlay distance for concealed hinge(s).

Item Name	Weight (g)
GS-NSD-20R	210
GS-NSD-20L	210